



Electrolux
PROFESSIONAL

Modular Cooking Range Line
thermaline 80 - 800 mm Passthrough
open base, GN conform, 2 Sides (H2) -
H=550

ITEM # _____

MODEL # _____

NAME # _____

SIS # _____

AIA # _____



588236 (MA2BDCH000)

Passthrough open base,
two-side operated, GN - H2

Short Form Specification

Item No. _____

800 mm wide open passthrough base compartment to store pots, pans, sheet pans, etc. with hygienic design and round edges. Unit constructed according to DIN 18860_2 with 70 mm recessed plinth. Internal frame for heavy duty sturdiness in 2 mm and 3 mm in 1.

Main Features

- All major components may be easily accessed from the front.
- Unit to be placed below modular top appliances to store pots, pans, sheet pans, etc.

Construction

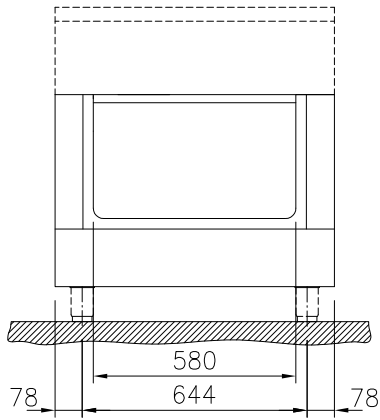
- IPX5 water resistance certification.
- Hygienic design of the open base compartment with large round edges.
- 2 mm top in 1.4301 (AISI 304).
- Flat surface construction with minimal hidden areas to easily clean all surfaces
- Storage space in the base of the appliance that can accept GN1/1 containers.
- Internal frame for heavy duty sturdiness in stainless steel.

APPROVAL: _____

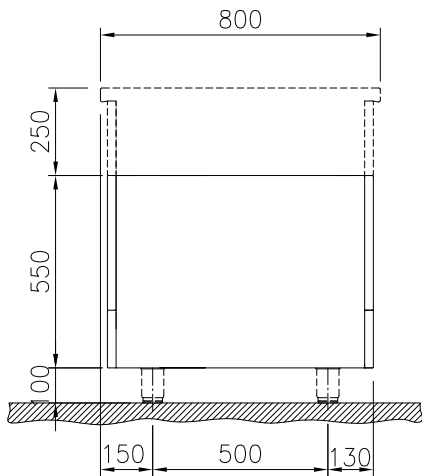


Experience the Excellence
www.electroluxprofessional.com

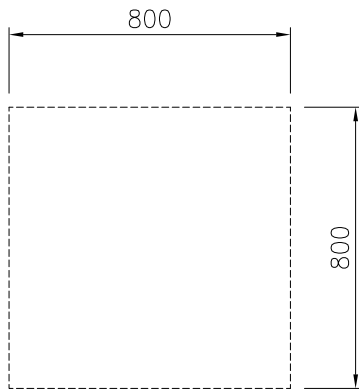
Front



Side



Top


Key Information:

| | |
|--------------------------------------|--------|
| External dimensions, Width: | |
| 588236 (MA2BDCH000) | 800 mm |
| External dimensions, Depth: | 800 mm |
| External dimensions, Height: | 550 mm |
| Cupboard Cavity Dimensions (width): | 580 mm |
| Cupboard Cavity Dimensions (height): | 330 mm |
| Cupboard Cavity Dimensions (depth): | 760 mm |
| Net weight: | 22 kg |

Optional Accessories

- Stainless steel side panel (12mm), 800x800mm, freestanding PNC 912508
- Stainless steel front kicking strip, 800mm width PNC 912598
- Stainless steel side kicking strips left and right, freestanding, 800mm width PNC 912619
- Stainless steel plinth, freestanding, 800mm width PNC 912825
- - NOT TRANSLATED - PNC 913234
- - NOT TRANSLATED - PNC 913257
- - NOT TRANSLATED - PNC 913281
- STAINLESS STEEL DIVIDING PANEL 800X800MM LEFT/RIGHT PNC 913669
- - NOT TRANSLATED - PNC 913685